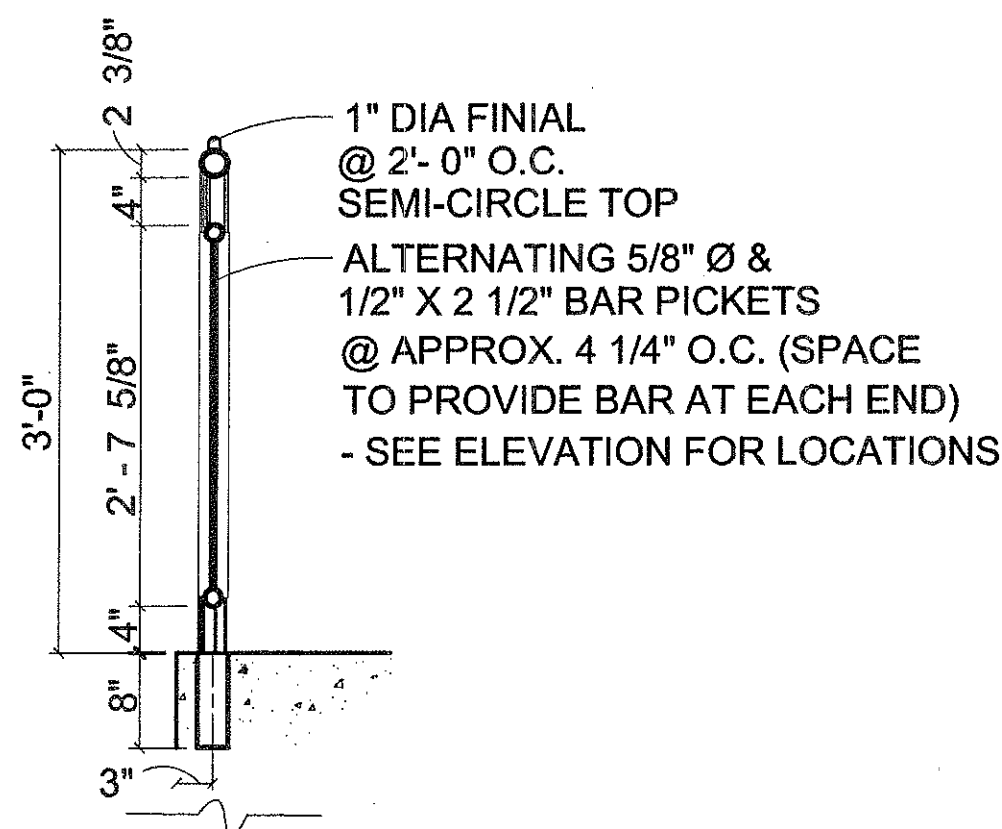
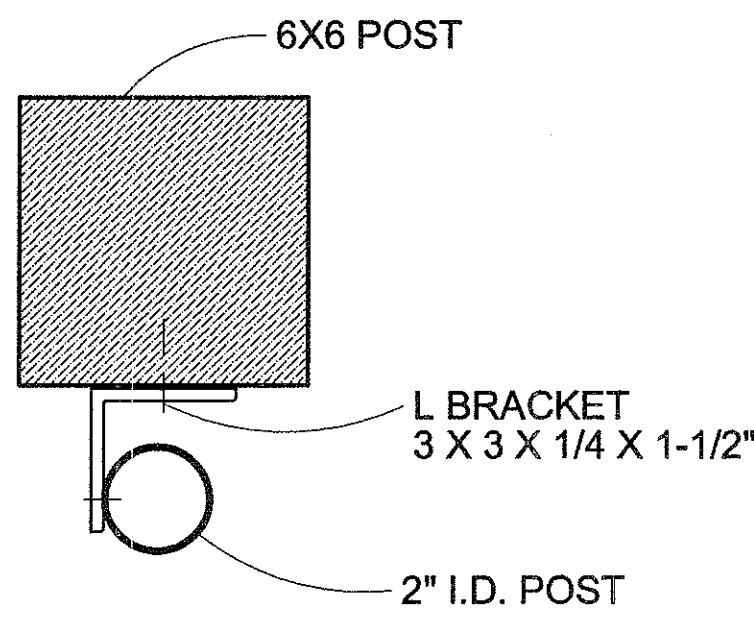


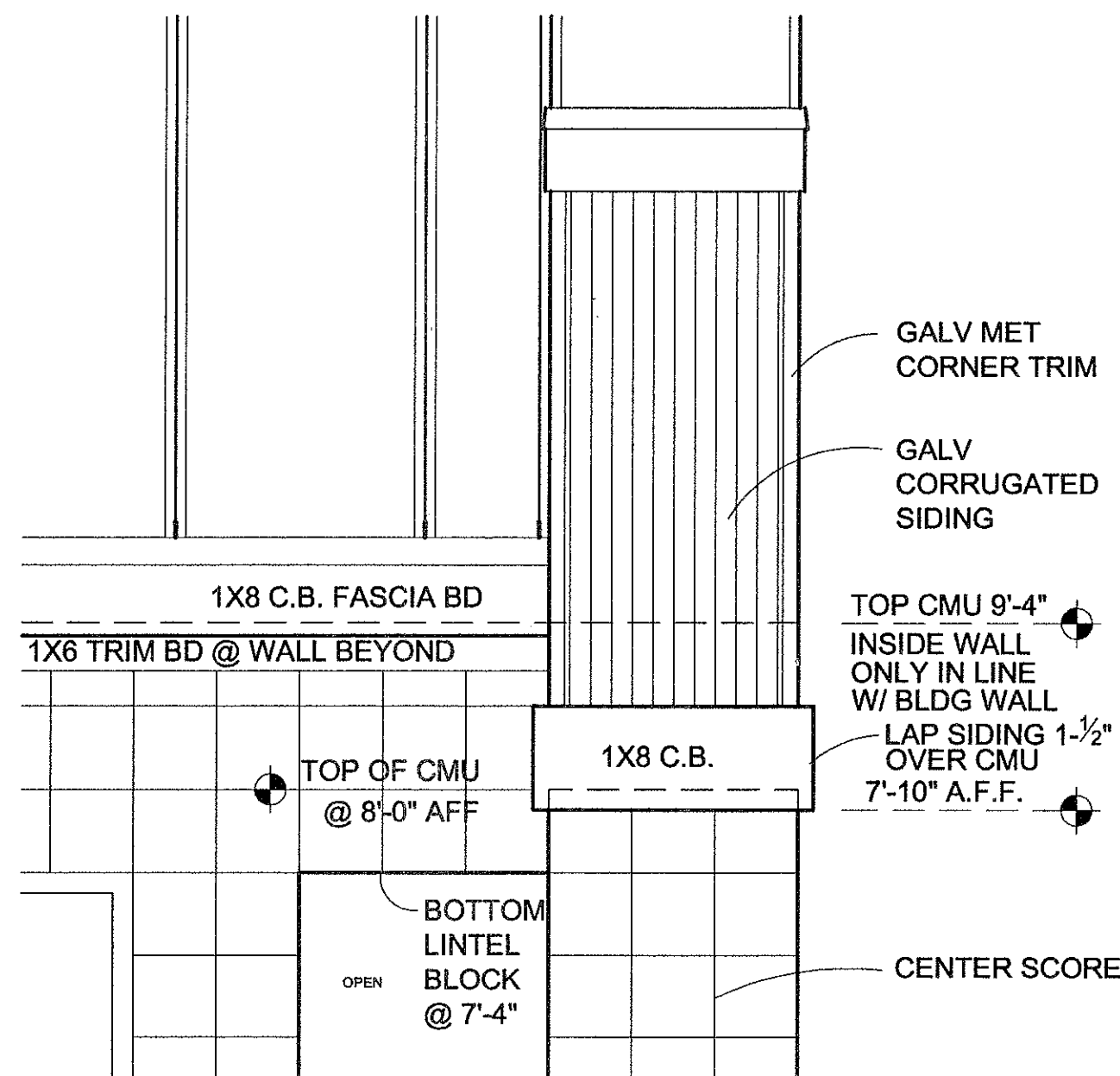
5
A-2
DETAIL @ RAIL
SCALE: 3/4" = 1'-0"



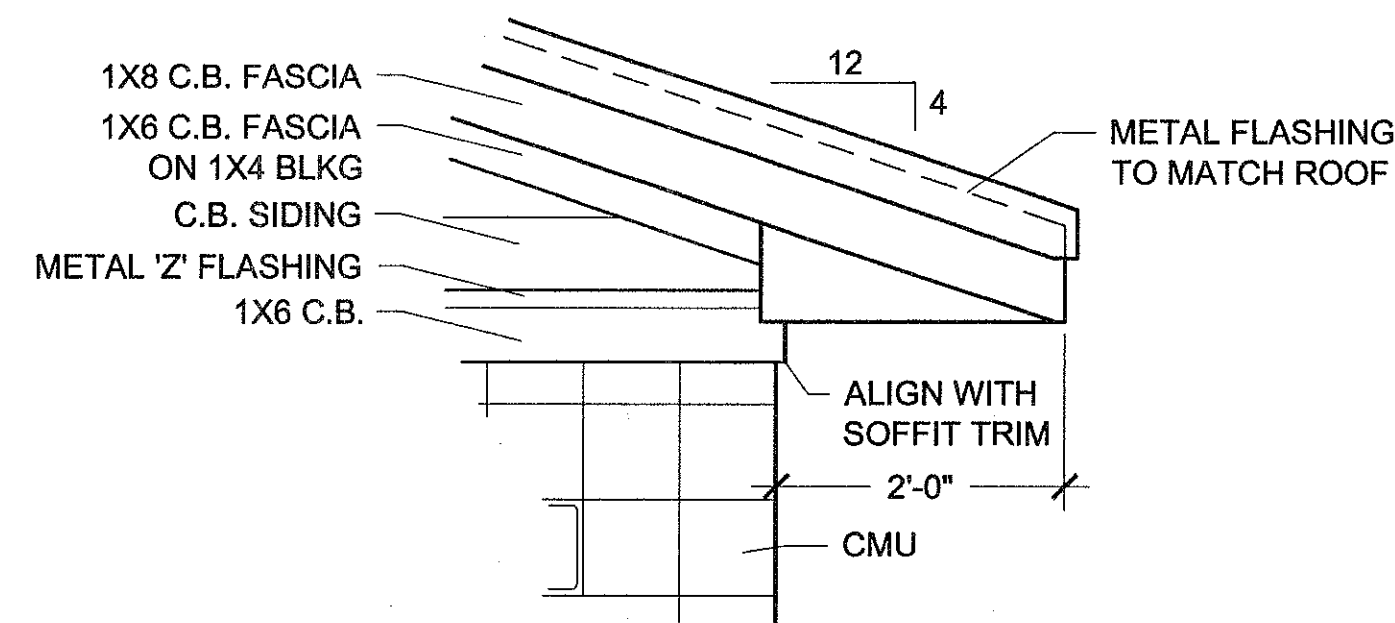
4
A-2
SECTION @ RAIL
SCALE: 3/4" = 1'-0"



3
A-2
RAIL SUPPORT DETAIL
SCALE: 3" = 1'-0"



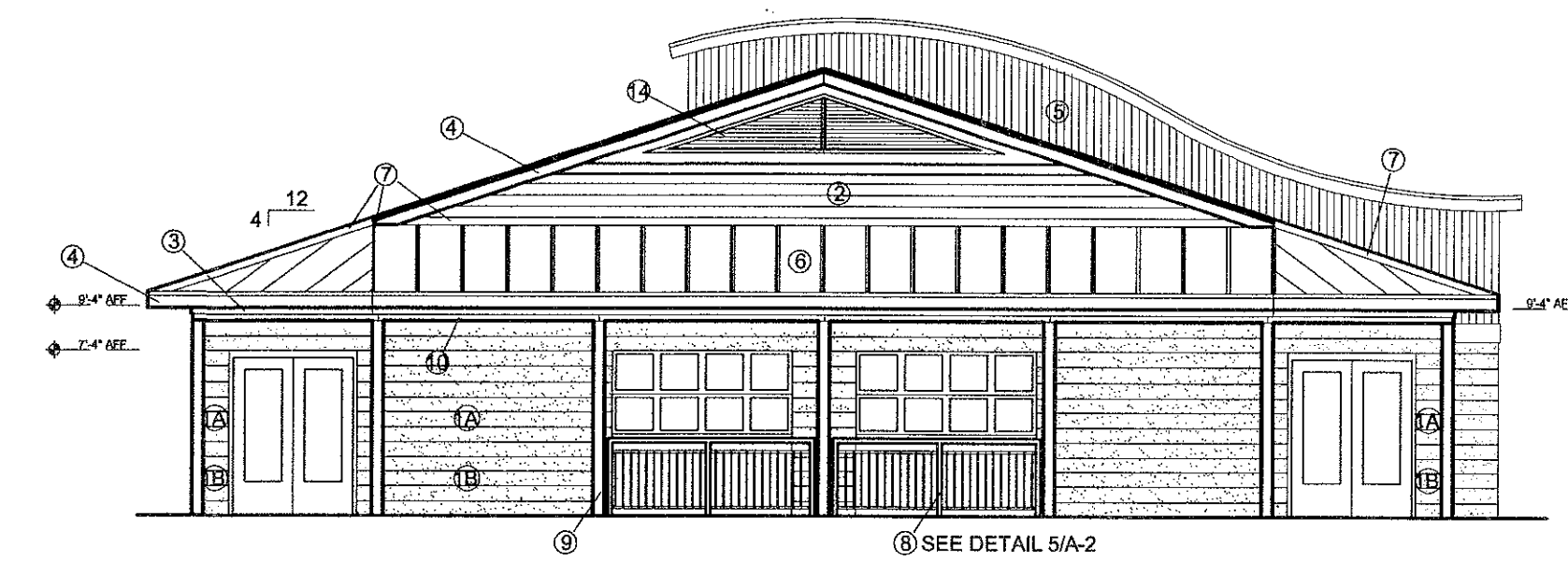
2
A-2
DETAIL @ FRONT CANOPY
SCALE: 3/4" = 1'-0"



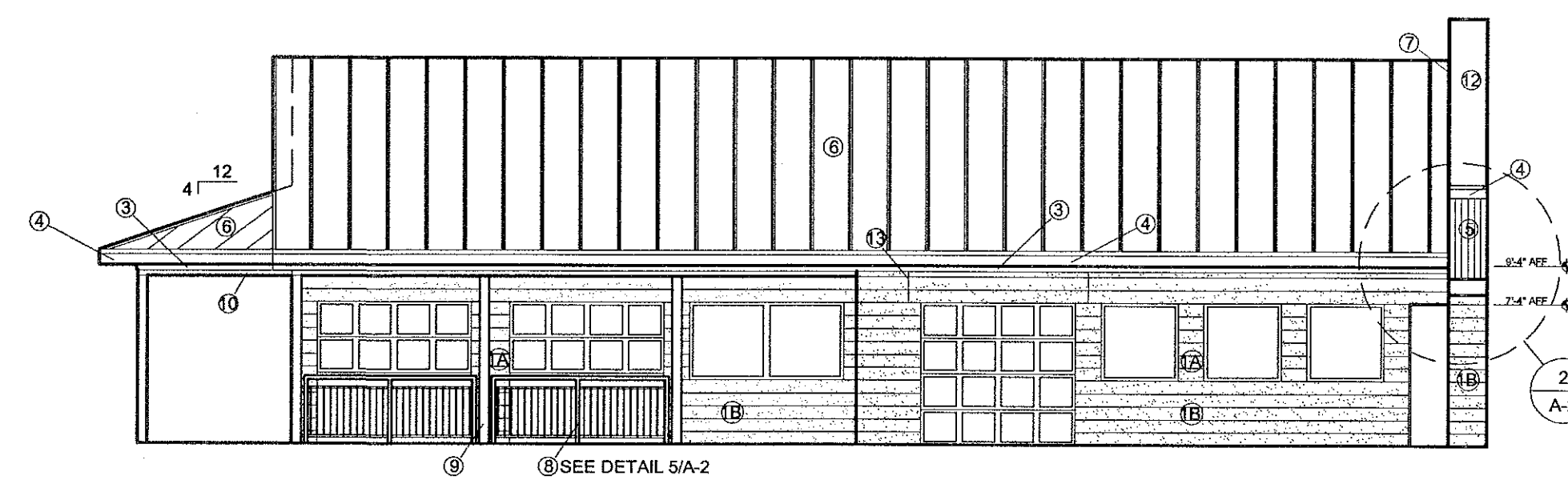
1
A-2
DETAIL @ EAVE
SCALE: 3/4" = 1'-0"

KEY

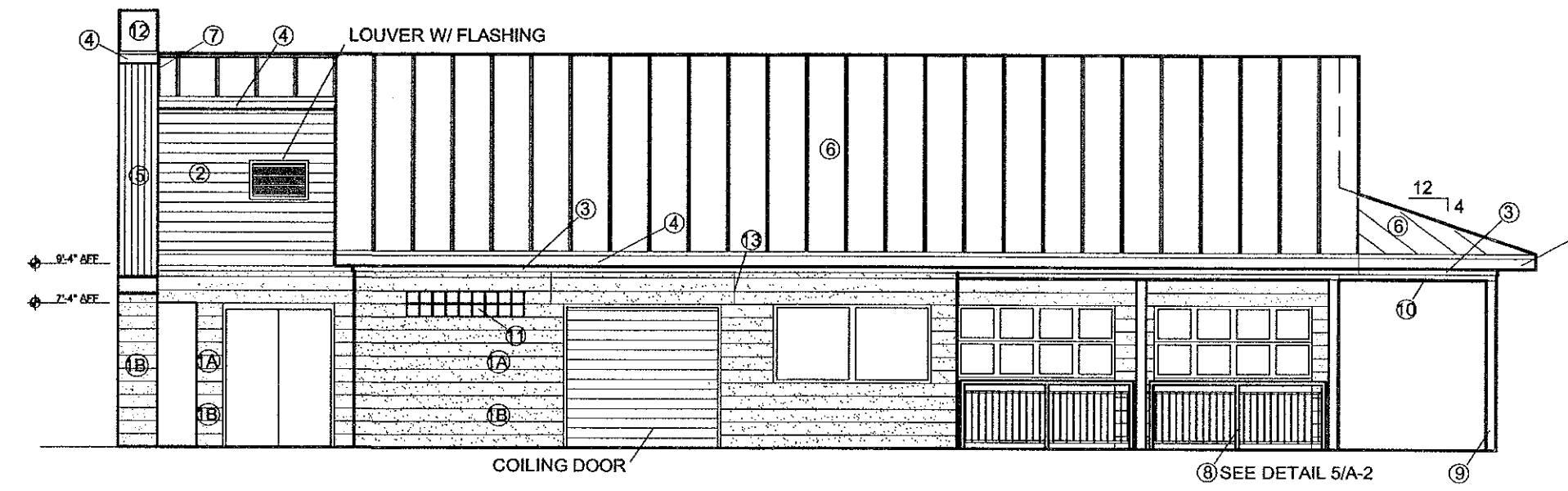
- ① SMOOTH FACED CMU W/ CENTER SCORE LAFARGE BCE-40 FOGGY GREY
- ② SMOOTH FACED CMU W/ CENTER SCORE LAFARGE BCE-59 EBONY
- ③ CEMENT BOARD (C.B.) SIDING - PAINTED
- ④ 1X8 CEMENT BOARD TRIM - PAINTED
- ⑤ 1X8 CEMENT BOARD FASCIA - PAINTED
- ⑥ CORRUGATED METAL SIDING (GALVALUME)
- ⑦ STANDING SEAM METAL ROOF
- ⑧ MET/ FLASHING TO MATCH ROOF
- ⑨ STEEL RAILING - PAINTED (SPECIAL COATING)
- ⑩ STEEL COLUMN - PAINTED
- ⑪ WOOD BEAM - PAINTED
- ⑫ 8"X8" GLASS BLOCK
- ⑬ METAL COPING TO MATCH ROOF
- ⑭ CMU CONTROL JOINT
- ⑮ PREFINISHED METAL LOUVER 30" X 15'-0"



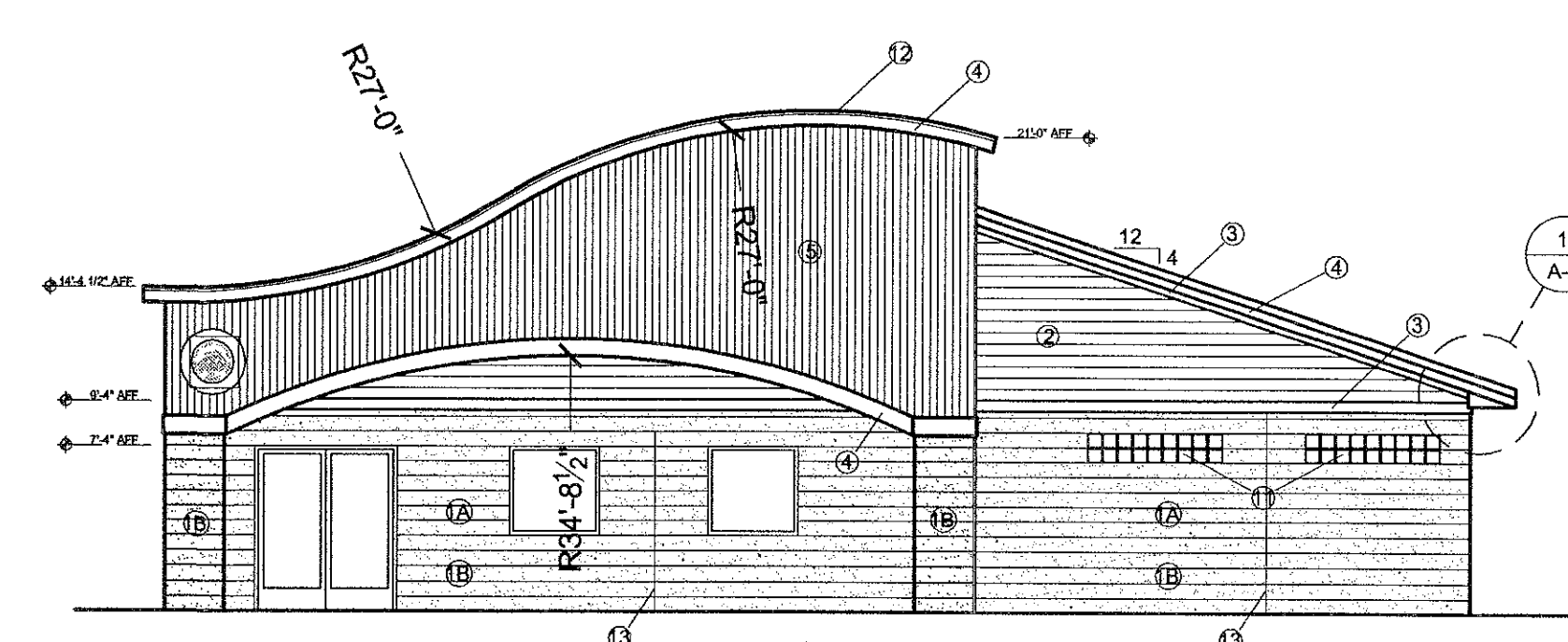
REAR ELEVATION
SCALE: 1/8" = 1'-0"



LEFT ELEVATION
SCALE: 1/8" = 1'-0"

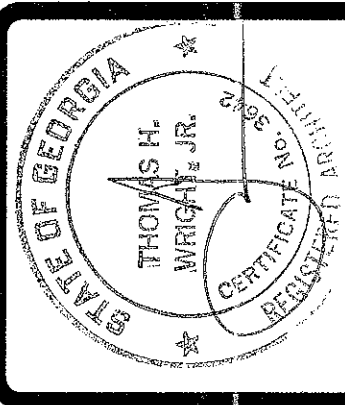


RIGHT ELEVATION
SCALE: 1/8" = 1'-0"



FRONT ELEVATION
SCALE: 1/8" = 1'-0"

ARCHITECTURAL - Elevations
BROOK RUN SKATE PARK
DEKALB CO. PARKS & RECREATION



Wright Mitchell & Associates Inc
1174 Gimnes Bridge Rd.
Roswell, GA 30075
Suite 300
(770) 998-8059

Revisions

Date	04.07.06
Project	06.005
Sheet Number	A-2
of 44 Sheets	58

Date Plotted: 04.07.06 10:53 AM