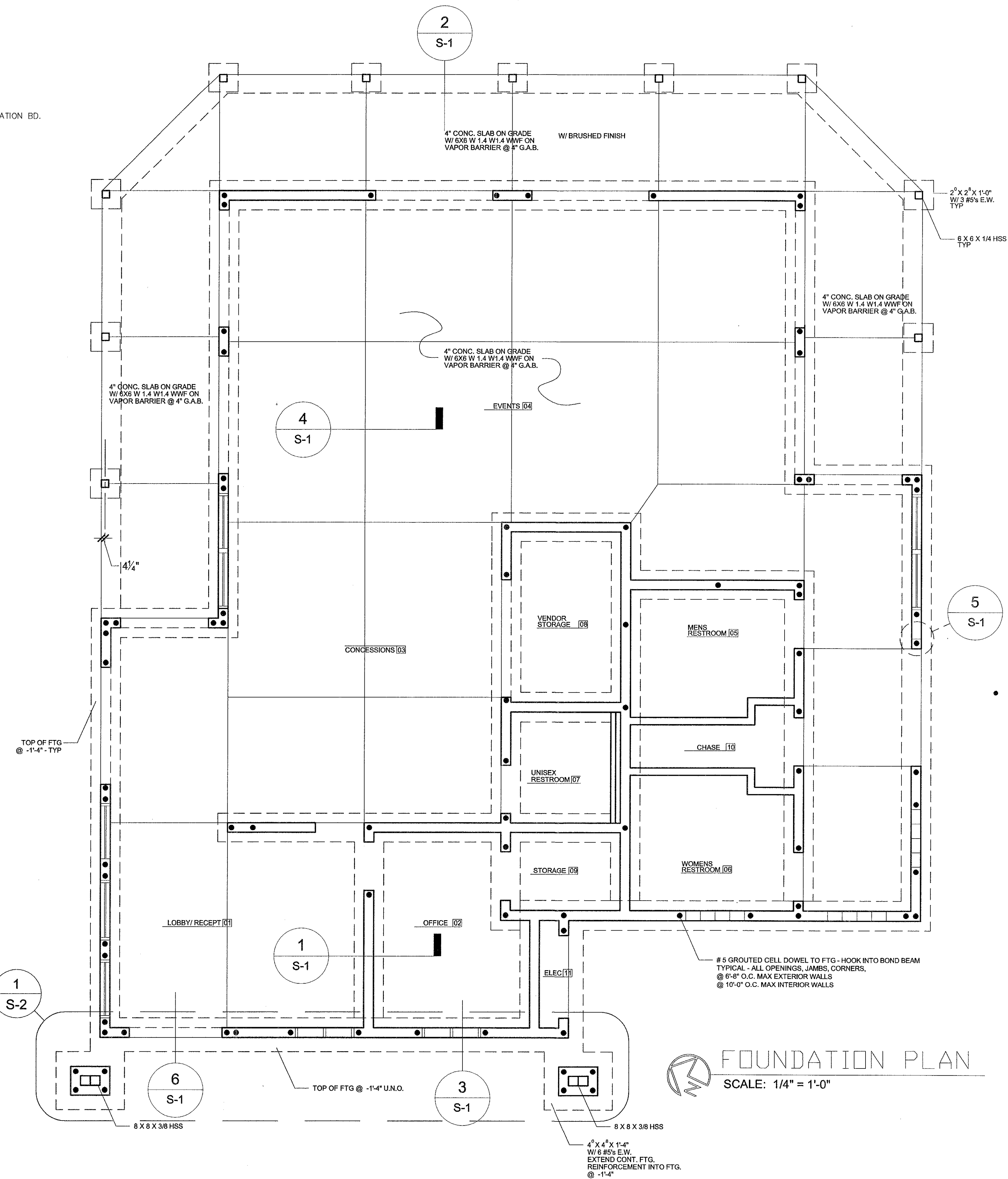


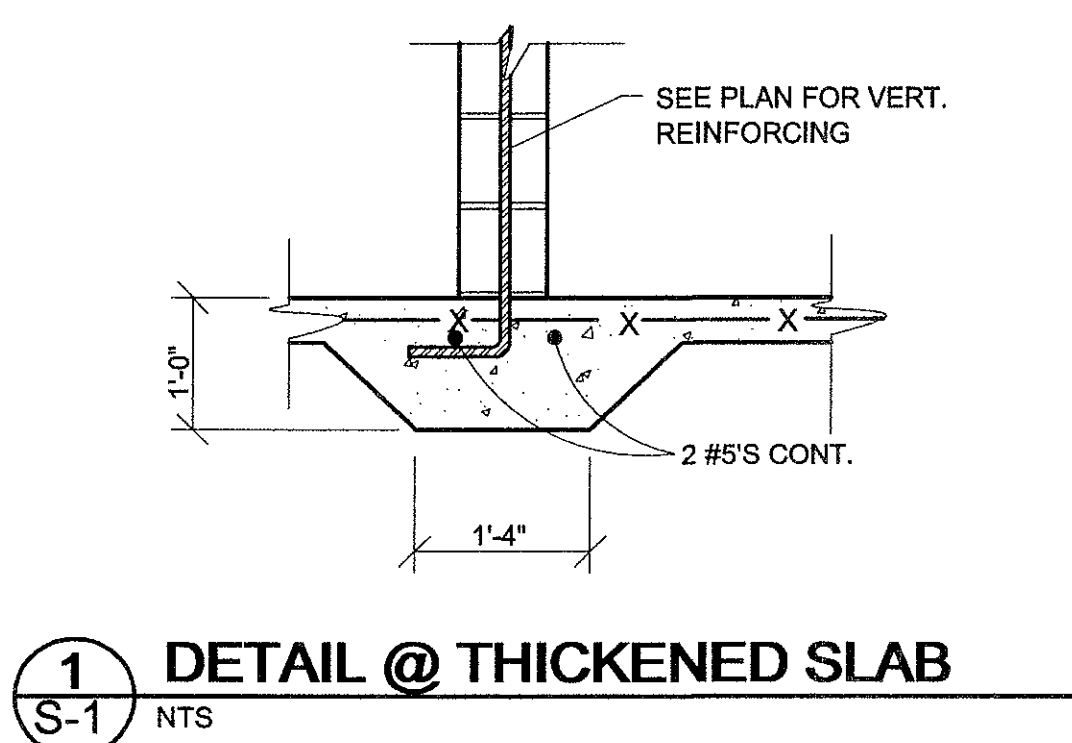
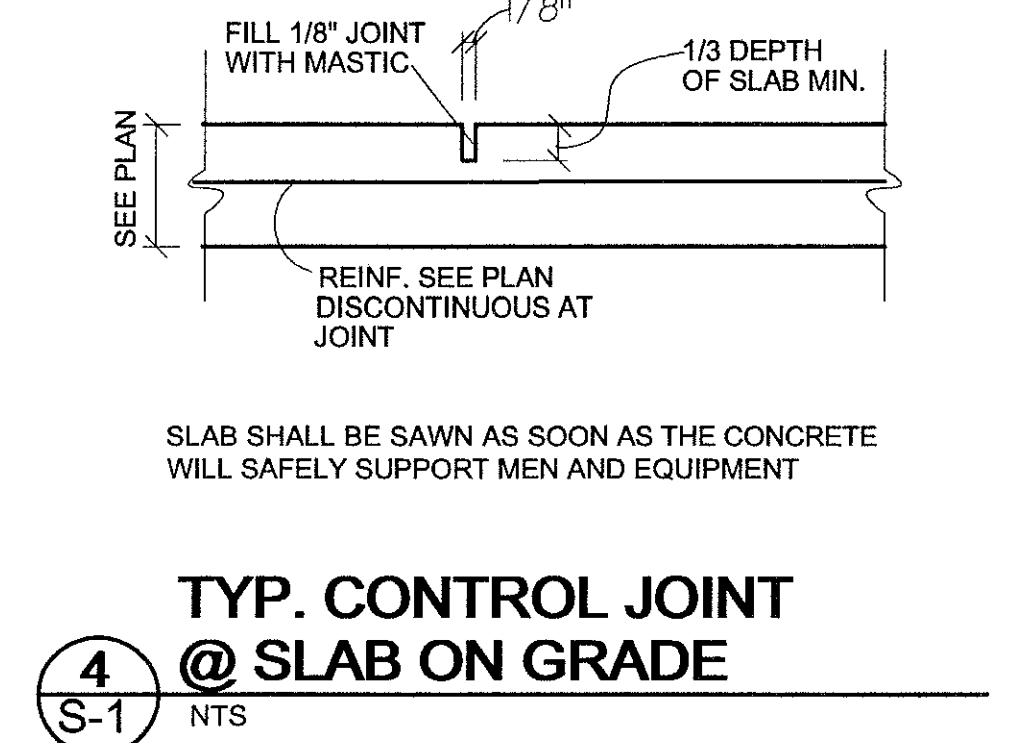
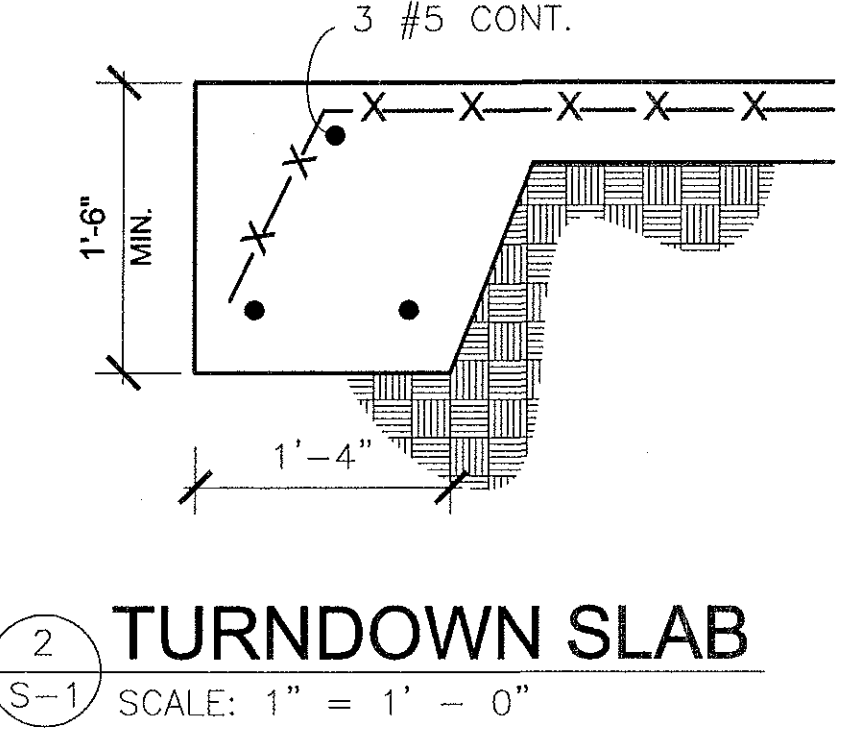
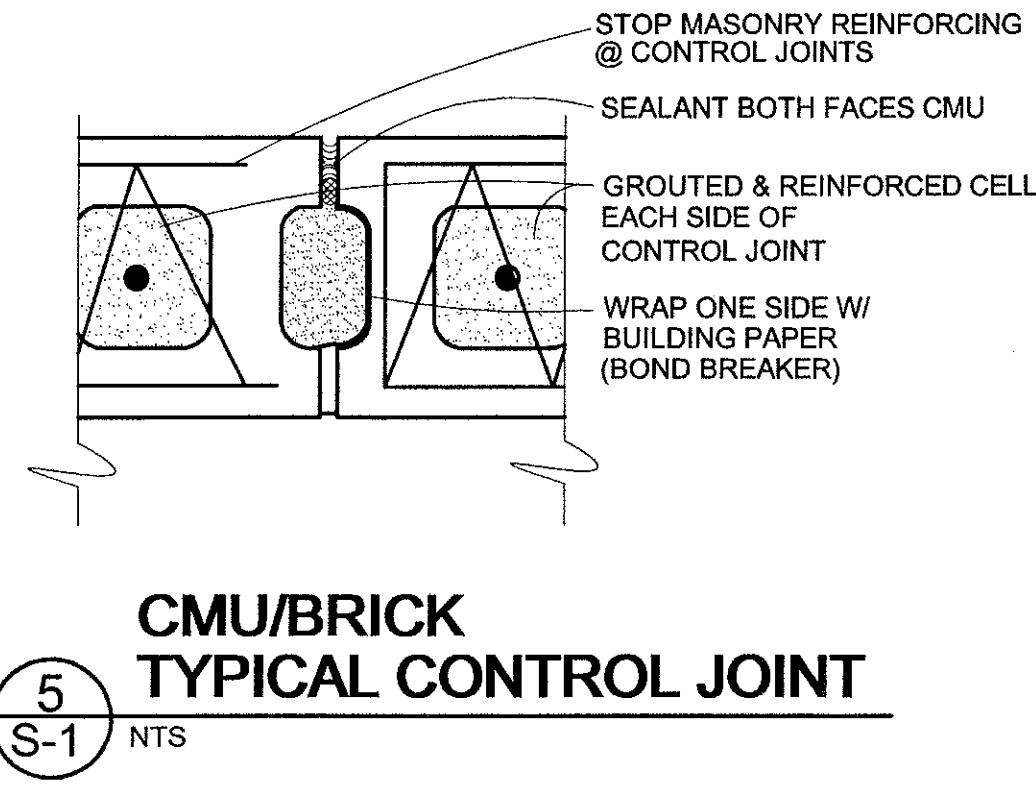
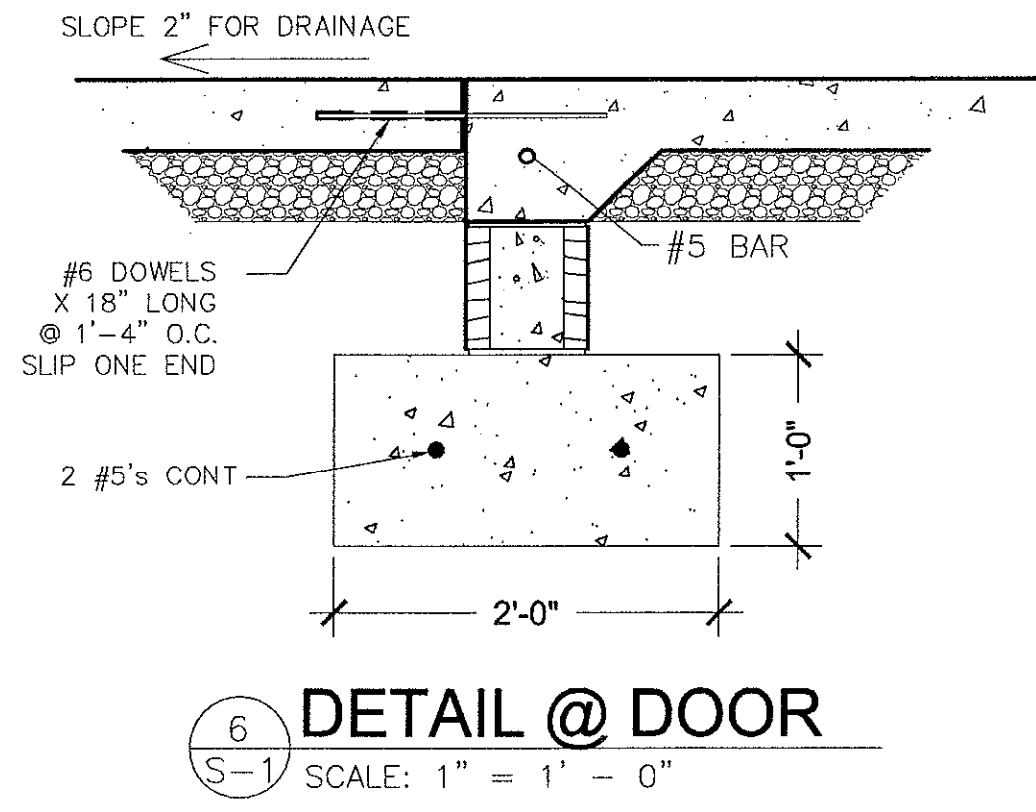
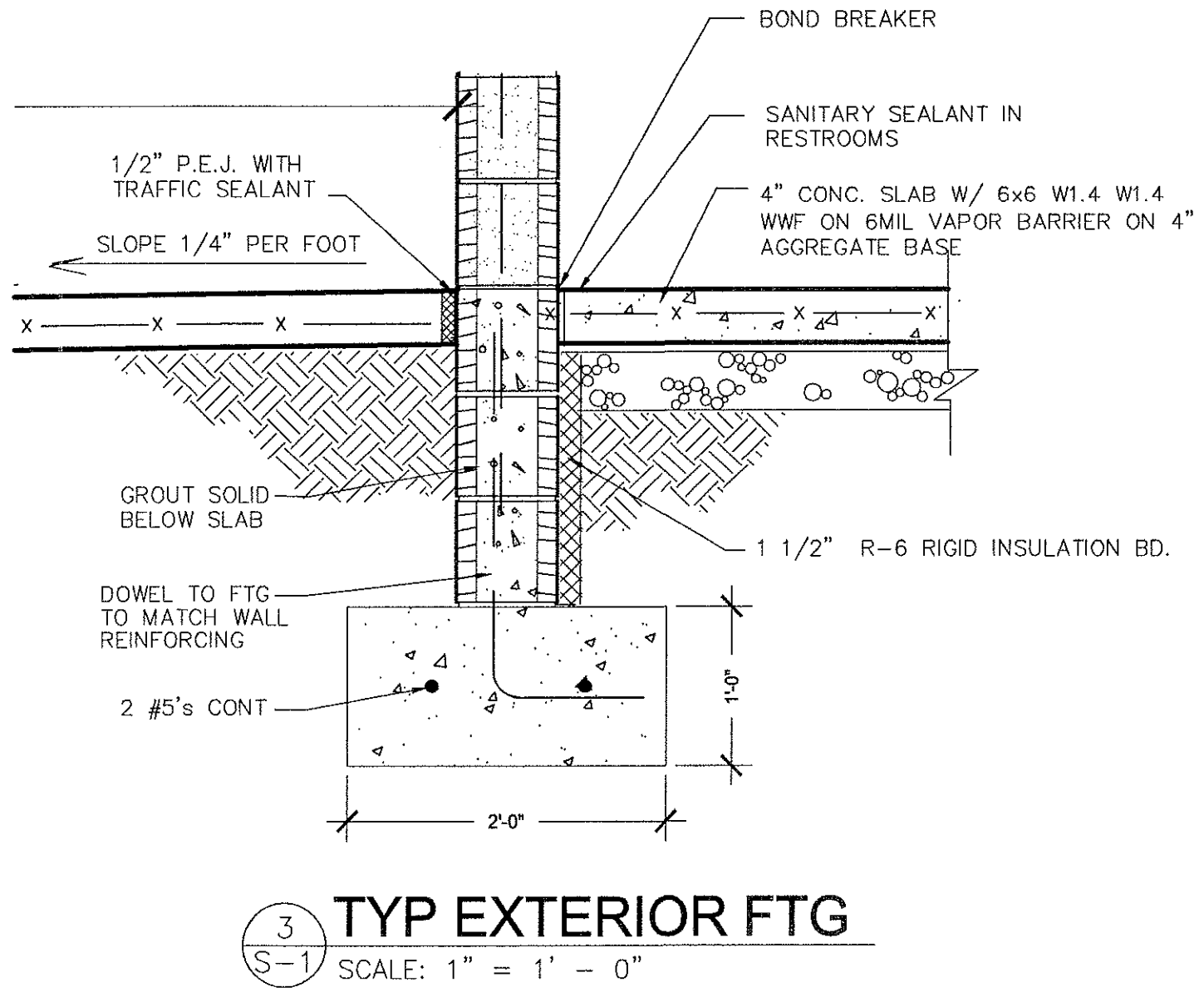
Wright Mitchell & Associates Inc.
 1174 Grimes Bridge Rd.
 Roswell, GA 30075
 Suite 300
 (770) 998-8059

Revisions

Date 04.07.05
 Project 06.005
 Sheet Number
S-1
 48 of 58 Sheets



FOUNDATION PLAN
 SCALE: 1/4" = 1'-0"



LINTEL SCHEDULE

OPENING WIDTH	FOR EACH 4" WALL THICKNESS	WALL DIMENSION AND REINFORCING				
MIN.	MAX.	STEEL	DEPTH	4" WALL	8" WALL	12" WALL
2'-0"	3'-6"	3 1/2 X 3 1/2 X 1/4 SLV	7-5/8	1#4	1#4 BOT.	1#4 BOT.
2'-11"	3'-6"	3 1/2 X 3 1/2 X 1/4 SLV	7-5/8	1#4	1#4 BOT.	2#5 BOT.
3'-7"	5'-0"	3 1/2 X 3 1/2 X 1/4 SLV	7-5/8	1#4	1#5 BOT.	2#5 BOT.
5'-11"	6'-6"	4 X 3 1/2 X 1/4 LLV	7-5/8	—	1#7 BOT.	2#6 BOT.
6'-7"	8'-0"	5 X 3 1/2 X 1/4 LLV	7-5/8	—	1#8 BOT.	2#7 BOT.
8'-11"	10'-0"	6 X 3 1/2 X 5/16 LLV	15-5/8	—	1#8 BOT.	—

NOTES:
 1. DO NOT USE THIS SCHEDULE IF CONCENTRATED LOAD IS APPLIED TO LINTEL.
 2. PROVIDE 1'-4" (MIN.) BEARING AT EACH END FOR MASONRY.
 3. PROVIDE 8" (MIN.) BEARING AT EACH END FOR STEEL.

- GENERAL NOTES**
- THESE NOTES SHALL APPLY UNLESS OTHERWISE INDICATED IN DRAWINGS OR SPECIFICATIONS.
 - STRUCTURAL DRAWINGS INDICATE TYPICAL AND CERTAIN SPECIFIC CONDITIONS ONLY. SHOP DRAWINGS SHALL DETAIL ALL CONDITIONS IN ACCORDANCE WITH THE SPECIFIC REQUIREMENTS OF THIS PROJECTS AS INDICATED ON THE DRAWINGS.
 - CONTRACTOR SHALL PROVIDE ADEQUATE BRACING OR SHORING FOR ALL WORK DURING THE CONSTRUCTION PERIOD.
 - CONSTRUCTION OR CONTROL JOINTS SHALL BE PROVIDED ON SLABS ON GRADE SO THAT THE MAXIMUM AREA OF SLAB BETWEEN JOINTS SHALL BE 1000 S.F. OR AS SHOWN ON THE PLANS.
 - REINFORCING BARS SHALL CONFORM WITH ASTM A615 GRADE 60.
 - WELDED WIRE FABRIC SHALL CONFORM WITH ASTM A82 AND A185.
 - ALL CONTINUOUS BARS SHALL HAVE BASIC CLASS "B" TENSION LAPS AT ALL SPLICES. PROVIDE CORNER BARS AT ALL CORNERS AND INTERSECTIONS.
 - ALL CONCRETE SHALL BE STANDARD WEIGHT 3000 PSI COMPRESSIVE STRENGTH AT 28 DAYS UNLESS NOTED OTHERWISE.
 - IF, AFTER EXCAVATION, THE CONDITION OF THE SOIL INDICATES A SAFE BEARING CAPACITY OF LESS THAN 2500 PSF, THE ARCHITECT SHALL BE NOTIFIED AND THE FOUNDATIONS REVISED IF NECESSARY.

Date Printed: 04.07.05 10:25 AM